

Technical data	Natural gas		Propane	
	G20	G25	G30	G31
Category				
<b>Operational Data</b>				
Nominal heat power	8,3 kW	7,1 kW	6,6 kW	6,0 kW
Reduced power (Eko mode)	1,8 kW	1,6 kW	1,8 kW	1,6 kW
Efficiency	82,1 %	80,9 %	81,2 %	80,8 %
Gas consumption at nominal heat power	1,087 m <sup>3</sup> /hod	1,087 m <sup>3</sup> /hod	0,257 m <sup>3</sup> /hod	0,257 m <sup>3</sup> /hod
Gas pressure	20 mbar	20 mbar	28 / 30 mbar	30 mbar
<b>Data for convection enclosure</b>				
Minimal grill area supply / outgoing	350 / 350 cm <sup>2</sup>			
Minimum distance from insulated areas / floor	30 / 100 mm			
Calciumsilikat insulation <sup>1</sup> ceiling / back wall / side wall / floor	30 / 40 / 40 / 0 mm			
<b>Daten für Bauweise mit Strahlungsgehäuse</b>				
Minimum radiant area <sup>2</sup>	4 m <sup>2</sup>			
Minimal grill area supply / outgoing	400 / 400 cm <sup>2</sup>			
Minimum distance from insulated areas / floor	30 / 100 mm			
Calciumsilikat insulation <sup>1</sup> ceiling / back wall / side wall / floor	40 / 40 / 40 / 0 mm			
<b>General technical information</b>				
Smoke outlet	130 / 200 mm			
Installation type	C11 / C31 / C91			
Gas connection	1/2 inch			
Total weight / with ribbed lining	152 kg / 202 kg			
Tested according to	EN 613			

<sup>1</sup> Example SkamoEnclosure Board 225 kg/m<sup>3</sup>.

<sup>2</sup> Depends on accumulation period and material characteristics.

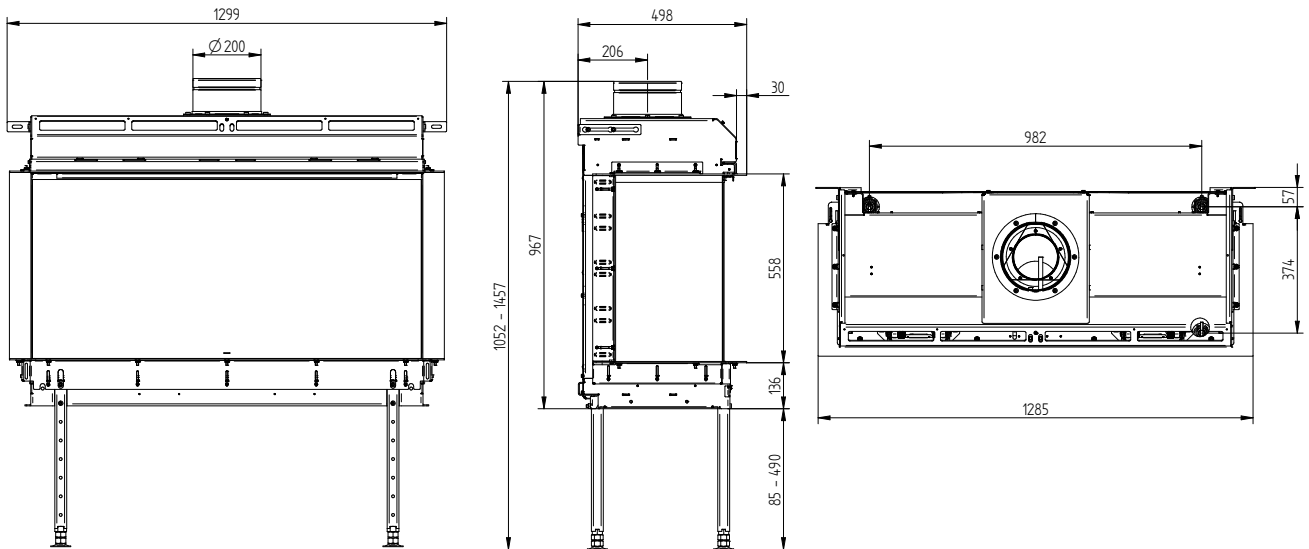
Listed values calculated with chamotte stone thickness 30 mm with radiant area 500 W/m<sup>2</sup>.

# UKA G-115

Technical data  
State 11/2023

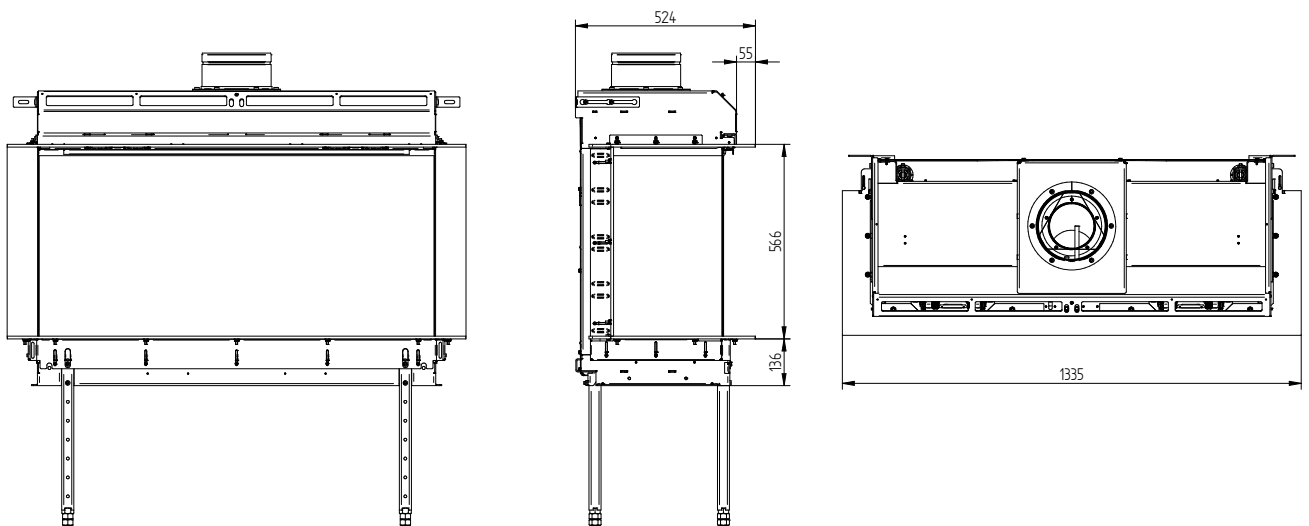
## UKA G-115 Build-on frame 4/30 mm

---



## UKA G-115 Build-on frame 8/55 mm

---

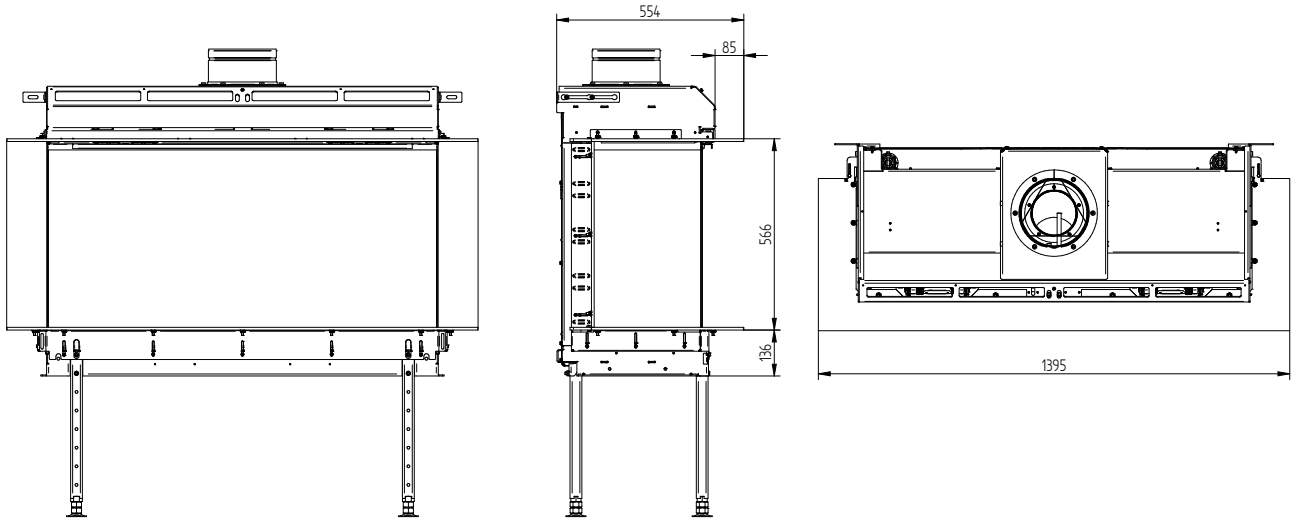


# UKA G-115

Technical data  
State 11/2023

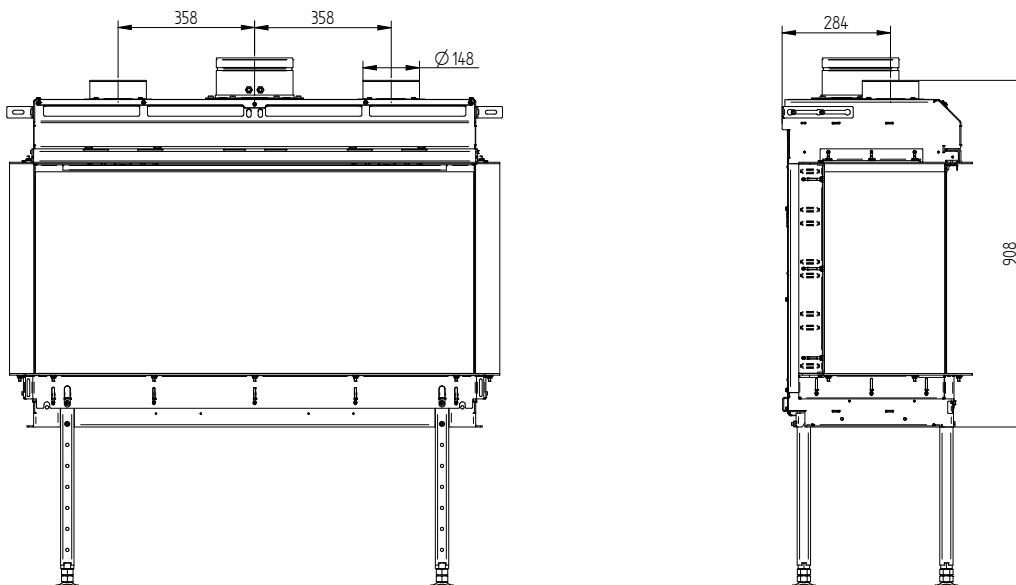
## UKA G-115 Build-on frame 8/85 mm

---



## UKA G-115 Convection jacket

---



# UKA G-115

Technical data  
State 11/2023

## UKA G-115 Accumulation bricks

---

