

Operation with connected accumulation mass - accumulation period 12h	
Tested according to	EN 13229
Efficiency	> 80 %
Load of wood (minimum / average / maximum)	7 / 10 / 14 kg
Heat power (with accumulation period 12 h and load of wood Ø 10kg)	3,0 kW
Total heat output of the burning chamber (load of wood Ø 10kg)	36,3 kW
Mass flow of flue gas (load of wood Ø 10kg)	30,4 g/s
Average flue gas temperature on the output ¹ past 5,0 m of ceramic accumulation system ²	635 °C 203 °C
Heat distribution mass storage heater door glass (single / double) adjoining accumulation mass	30 % - / 20 % 50 %
Required chimney pressure ³	12 Pa
Required amount of combustion air	125 m ³ /h

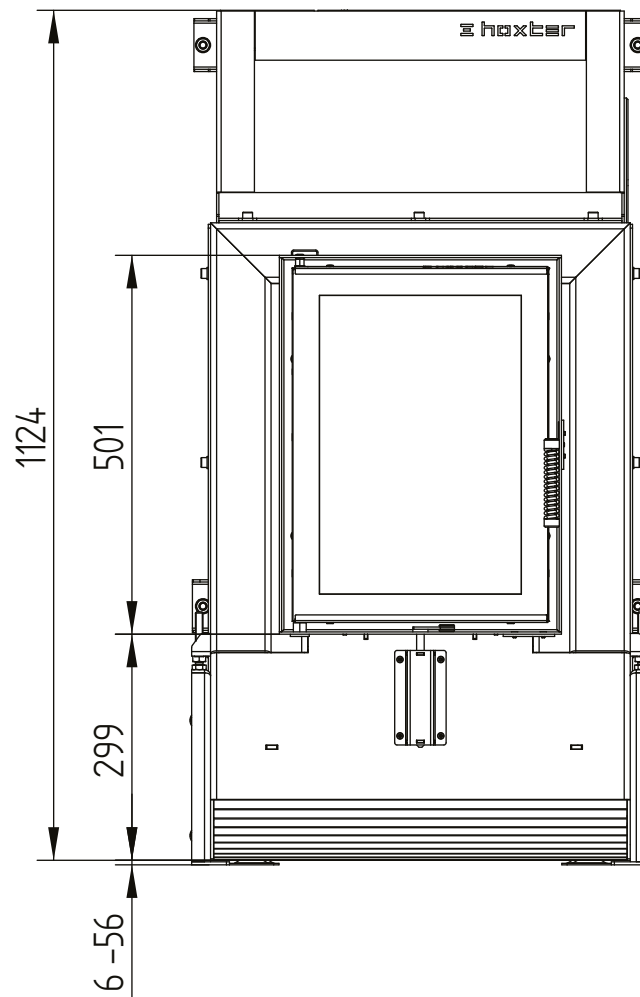
General technical information	
Combustion air connection	2 x Ø 125 mm
Total weight / heater accumulation mass weight	ca. 464 / 371 kg
Load capacity	500 kg
Use in non-ventilated accumulation builds according to craft rules	suitable
Meets values	BlmSchV (Stufe2), 15a BVG

SF 31.40 – 37/50

Technical data
Version 2019/08

air connection

M 1:10

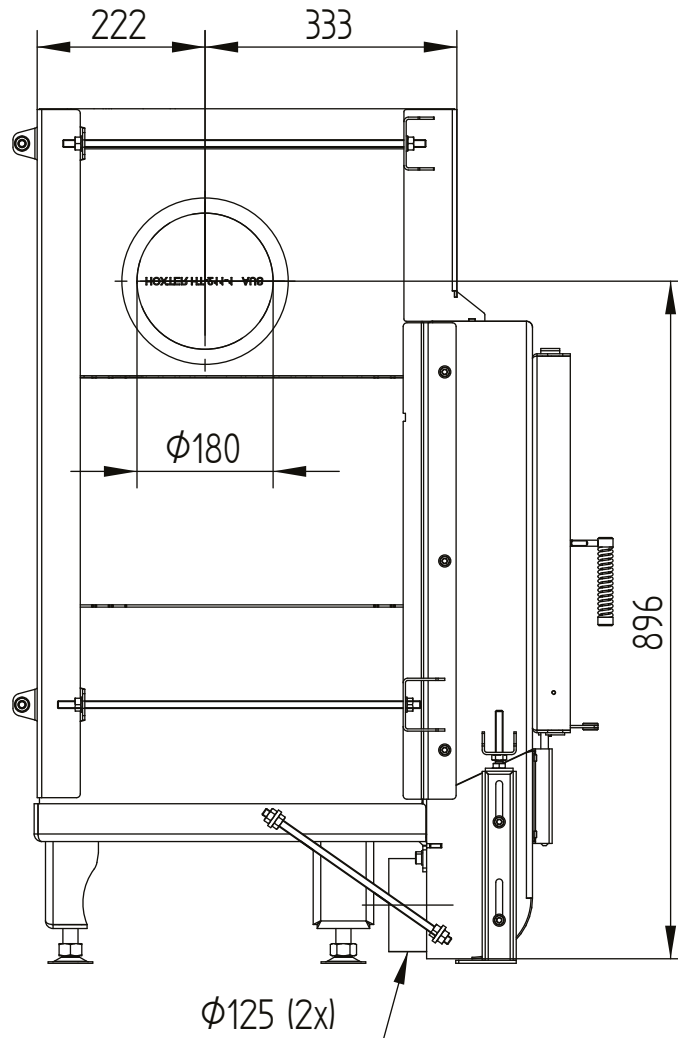


SF 31.40 – 37/50

Technical data
Version 2019/08

air connection

M 1:10

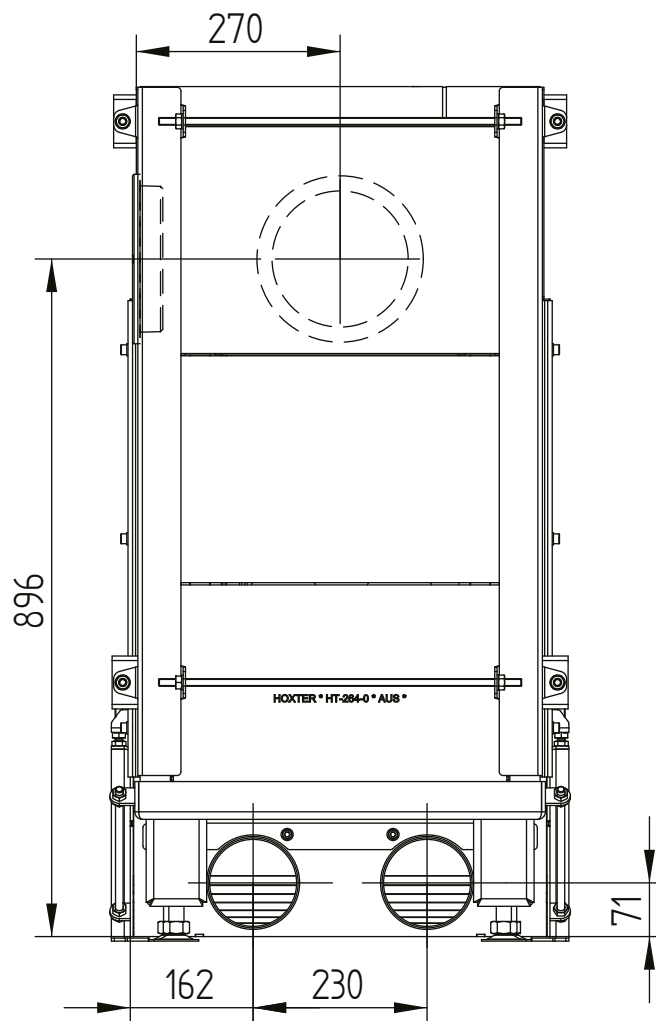


SF 31.40 – 37/50

Technical data
Version 2019/08

air connection

M 1:10

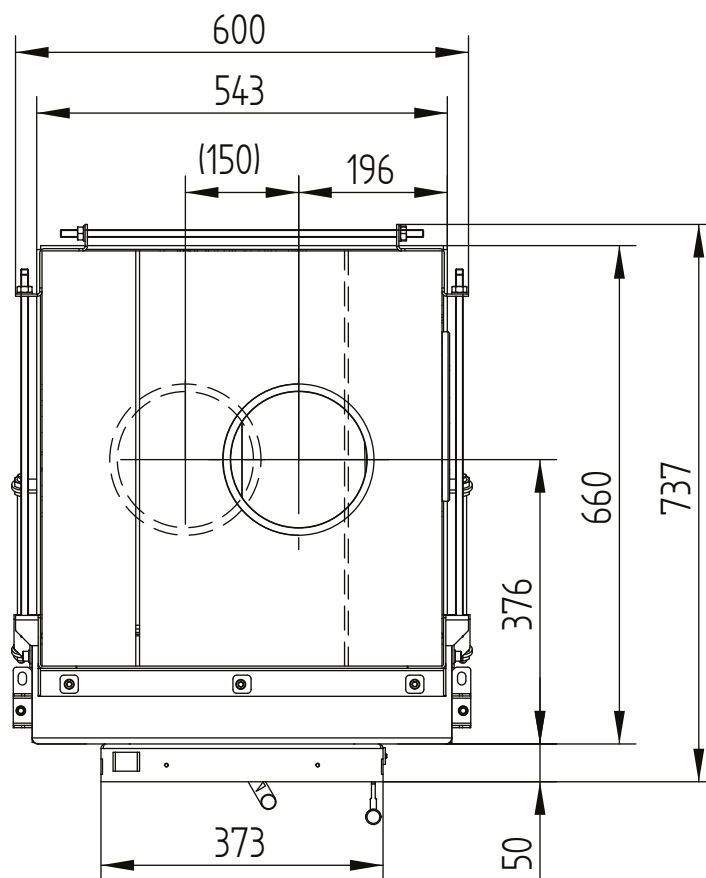


SF 31.40 – 37/50

Technical data
Version 2019/08

air connection

M 1:10

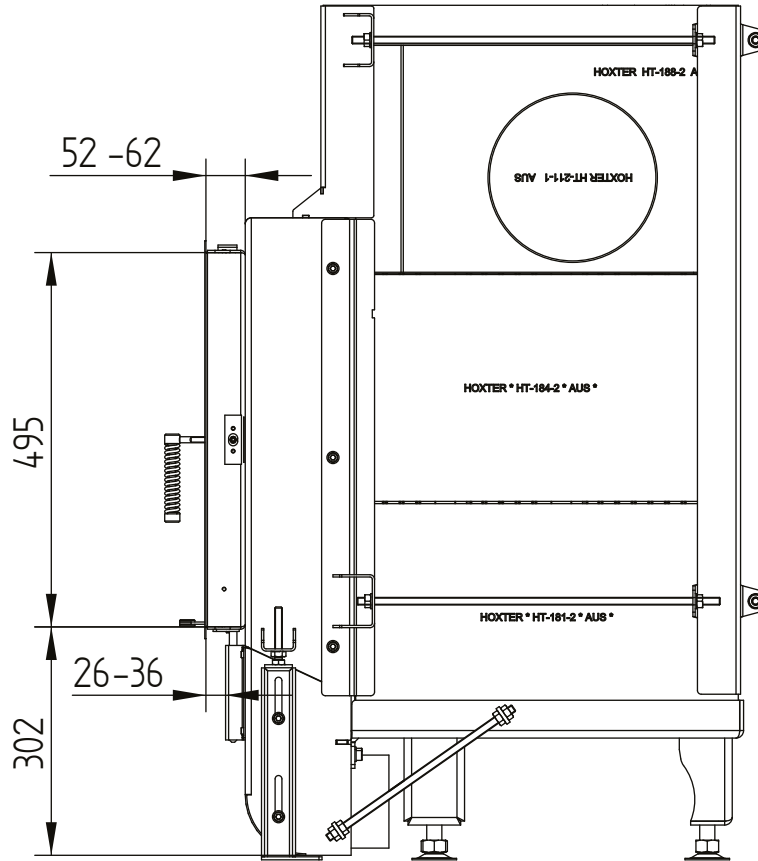


SF 31.40 – 37/50

Technical data
Version 2019/08

cover frame 37/50 4sides 50 mm 1 x 90°

M 1:10

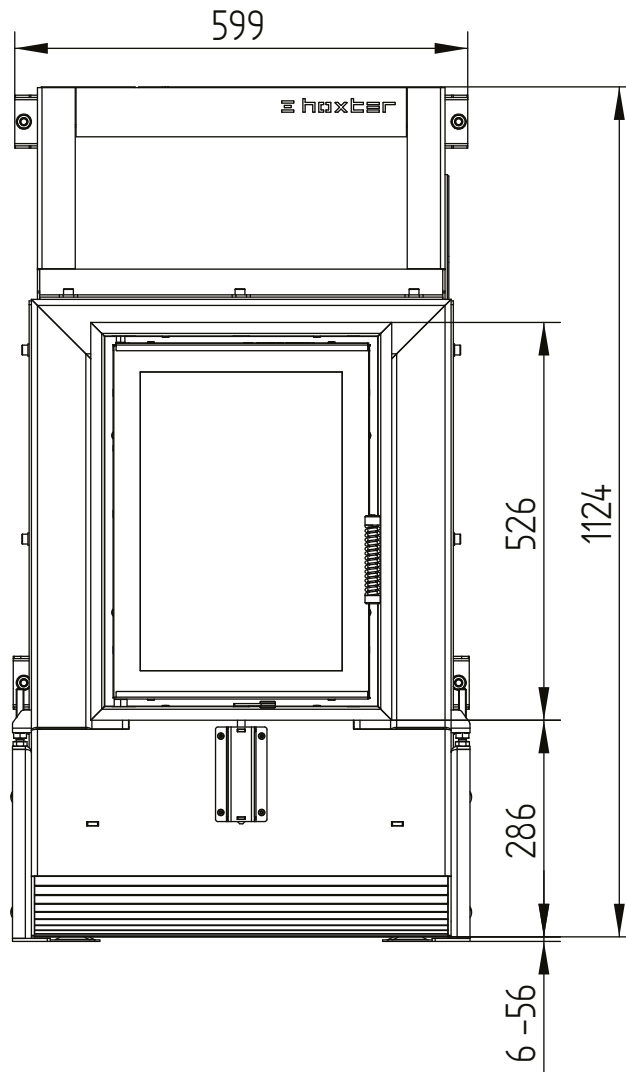


SF 31.40 – 37/50

Technical data
Version 2019/08

cover frame 37/50 4sides 50 mm 1 x 90°

M 1:10

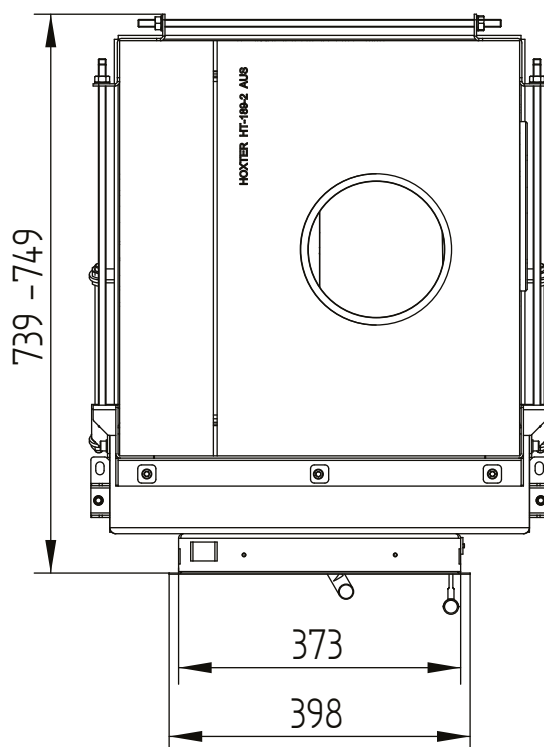


SF 31.40 – 37/50

Technical data
Version 2019/08

cover frame 37/50 4sides 50 mm 1 x 90°

M 1:10

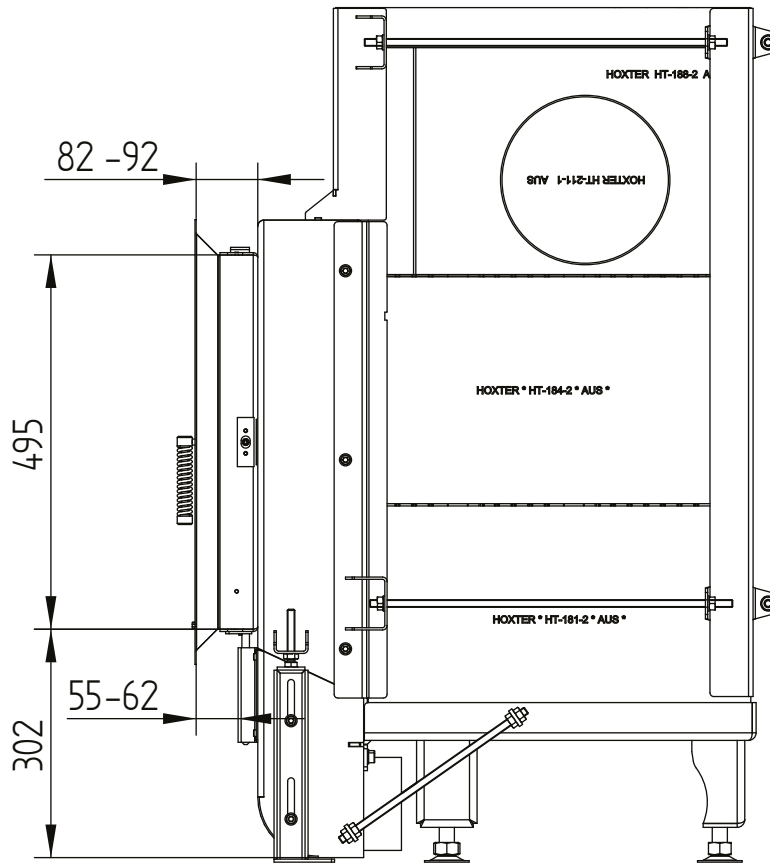


SF 31.40 – 37/50

Technical data
Version 2019/08

cover frame 37/50 4sides 80 mm 2 x 45° / feet

M 1:10

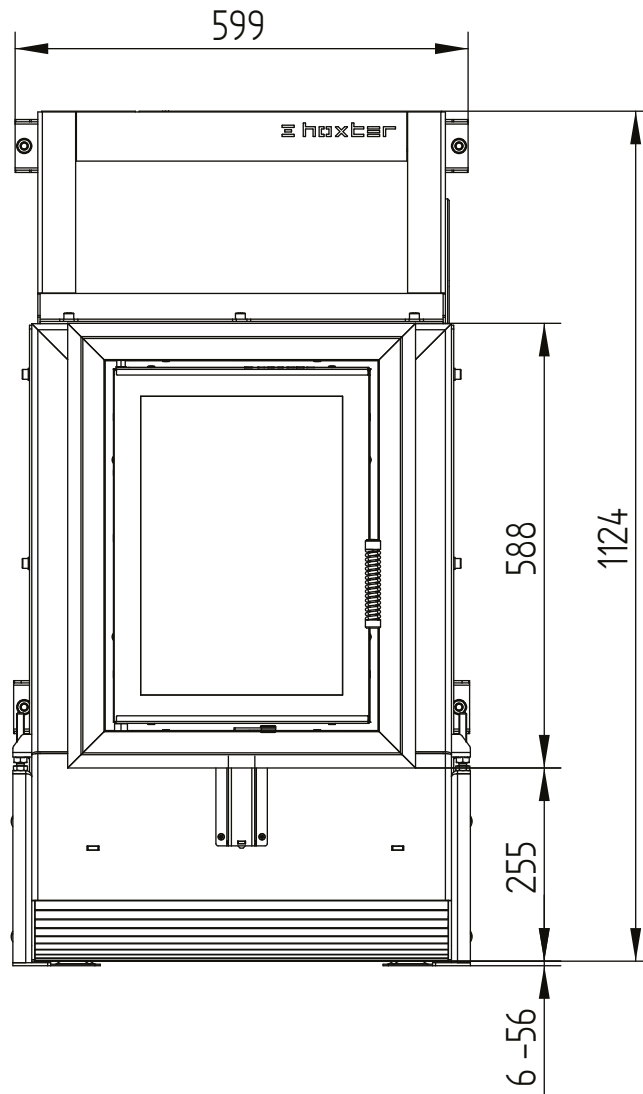


SF 31.40 – 37/50

Technical data
Version 2019/08

cover frame 37/50 4sides 80 mm 2 x 45° / feet

M 1:10



SF 31.40 – 37/50

Technical data
Version 2019/08

cover frame 37/50 4sides 80 mm 2 x 45° / feet

M 1:10

